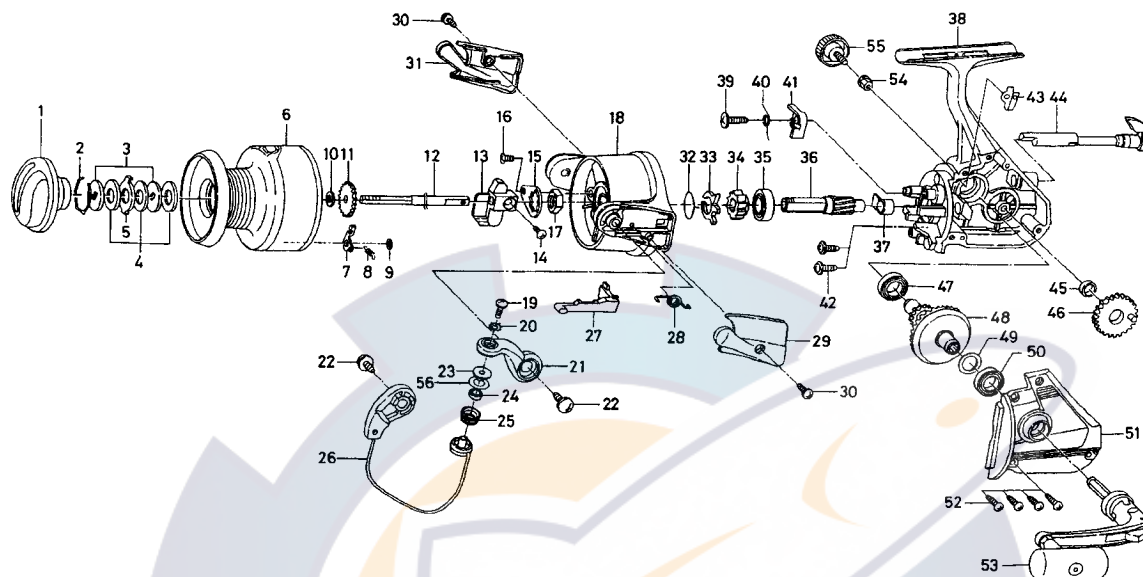


SPINNING REEL

RG-Z4500T/Z5000T



RG-Z4500T

KEY NO.	PART NO.	PART NAME
*	F37-3802	EXTRA SPOOL
2-9	F53-6601	SPOOL
1	F36-9804	DRAG KNOB
2	171-7701	DRAG WASHER RET
3	L03-1301	KEY WASHER
4	373-3711	DRAG WASHER
5	B89-9501	EARED WASHER
7	B07-8201	CLICK PAWL
8	145-2101	CLICK SPRING
9	320-1402	CLICK RET
10	F09-4701	SPOOL WASHER
11	L02-1401	CLICK GEAR
12	L10-7302	MAIN SHAFT
13	L10-6601	OSC SLIDER
14	351-8901	OSC SLIDER SCREW
15	F58-9801	ROTOR NUT HOLD PLT
16	L01-1702	ROTOR NUT HOLD PLT SCREW
17	340-8301	ROTOR NUT
18	F36-8604	ROTOR
19	F60-7301	LINE ROLLER SCREW
21	F53-6901	BAIL ARM
22	E00-7601	BAIL ARM SCREW
23	F44-6302	LINE ROLLER COLLAR
24	F05-5601	BALL BEARING A
25	F45-4902	LINE ROLLER
26	F53-6701	BAIL
27	L10-6901	BAIL TRIP LEVER
28	F43-6401	BAIL SPRING
29	F36-9104	BAIL SPRING COVER
30	E24-8101	BAIL SPRING COVER SCREW
31	F36-9504	BAIL TRIP COVER
32	F21-2001	A/R PAWL SPRING A
33	L06-6801	A/R PAWL SPRING B
34	F36-8501	A/R RATCHET
35	637-6101	BALL BEARING B
36	L10-7701	PINION GEAR

RG-Z4500T

KEY NO.	PART NO.	PART NAME
37	B88-0001	PINION COLLAR
38	E53-7501	BODY
39	L06-6501	A/R PAWL SCREW
40	L13-7201	A/R PAWL SPRING C
41	L06-6301	A/R PAWL
42	L01-1601	BEARING RET SCREW
43	E01-1801	A/R CAM SPRING
44	L10-0712	A/R LEVER
45	B47-4101	OSC GEAR COLLAR
46	L11-7001	OSC GEAR
47	B54-6001	BALL BEARING C
48	B78-9501	DRIVE GEAR
49	371-2824	DRIVE GEAR WASHER
50	B54-6001	BALL BEARING D
51	E53-7601	SIDE COVER
52	B83-5002	SIDE COVER SCREW
53	E53-7401	HANDLE
54	F40-9001	HANDLE COLLAR
55	L00-9106	HANDLE LOCK SCREW
56	F44-6202	LINE ROLLER WASHER

RG-Z5000T Special Parts

KEY NO.	PART NO.	PART NAME
*	F37-4002	EXTRA SPOOL
2-9	F53-7101	SPOOL
18	F37-1004	ROTOR
26	F53-7201	BAIL
27	L10-7101	BAIL TRIP LEVER
38	E53-7502	BODY
51	E53-7602	SIDE COVER